

SPECIFICATIONS

Electrical Ratings	50mA @ 50VDC
Electrical Life	100,000 cycles typical
Contact Resistance	< 50 mΩ initial
Actuation Force	100 +/- 50gF 160 +/- 50gF 260 +/- 50gF
Actuator Travel	.25 +/- .1mm
Dielectric Strength	250Vrms min
Insulation Resistance	> 1000MΩ min
Operating Temperature	-40°C to 85°C
Storage Temperature	-40°C to 85°C



MATERIALS ←RoHS COMPLIANT

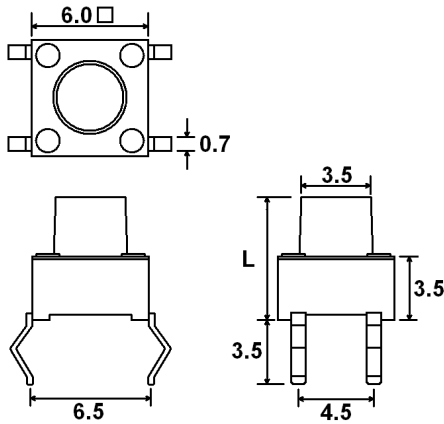
Actuator	6/6 Nylon
Housing	6/6 Nylon
Cover	Polyester
Contacts	Phosphor Bronze, Silver Plated
Terminals	Brass, Silver Plated

ORDERING INFORMATION

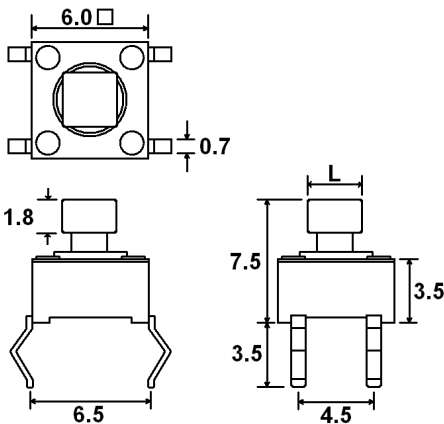
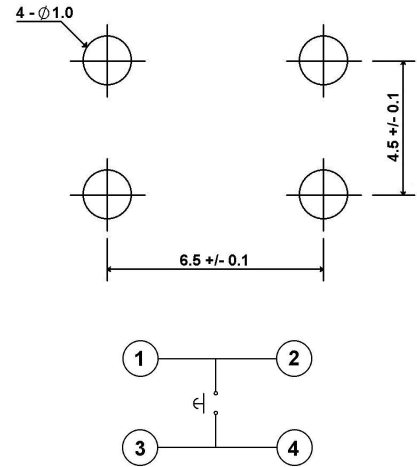
1. Series:	CT1102	5.0	F160	C053
CT1102 = Standard CT1102P = w/ grounding pin				
2. Actuator Length "L" (mm):				
4.3				
5.0				
7.0				
7.5				
8.0				
8.5				
9.5				
11.0				
11.5				
12.0				
13.0				
14.5				
15.0				
17.0				
S2.4 Square actuator head				
S2.8 Square actuator head				
3. Actuation Force:				
F100 = 100gF				
F160 = 160gF				
F260 = 260gF				
4. Cap Options:	Cap Colors:			
Blank = No Cap				
C01	** See Cap Options for color availability			
C02	** Caps available with S2.8 actuator only			
C03				
C04				
C05				

DIMENSIONS

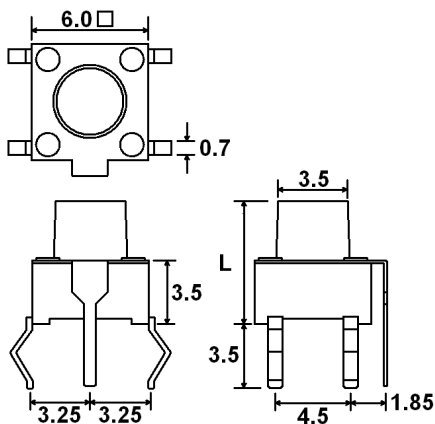
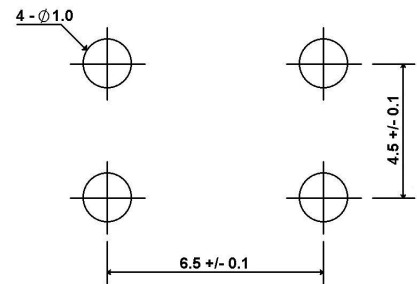
SCHEMATIC & PC LAYOUT



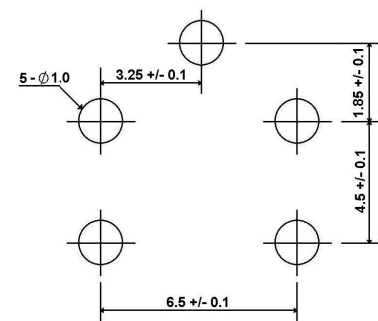
Part Number	"L" (mm)
CT11024.3	4.3
CT11025.0	5.0
CT11027.0	7.0
CT11027.5	7.5
CT11028.0	8.0
CT11028.5	8.5
CT11029.5	9.5
CT110211.0	11.0
CT110211.5	11.5
CT110212.0	12.0
CT110213.0	13.0
CT110214.5	14.5
CT110215.0	15.0
CT110217.0	17.0



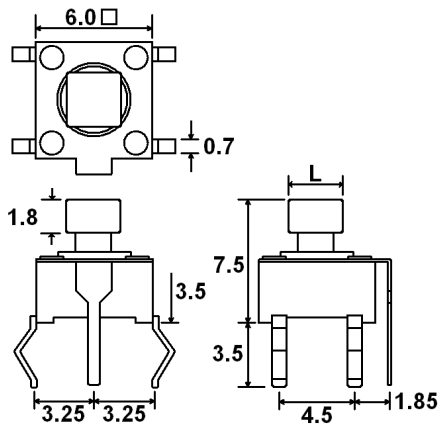
Part Number	"L" (mm)
CT1102S2.4	2.4
CT1102S2.8	2.8



Part Number	"L" (mm)
CT1102P4.3	4.3
CT1102P5.0	5.0
CT1102P7.0	7.0
CT1102P7.5	7.5
CT1102P8.0	8.0
CT1102P8.5	8.5
CT1102P9.5	9.5
CT1102P11.0	11.0
CT1102P11.5	11.5
CT1102P12.0	12.0
CT1102P13.0	13.0
CT1102P14.5	14.5
CT1102P15.0	15.0
CT1102P17.0	17.0

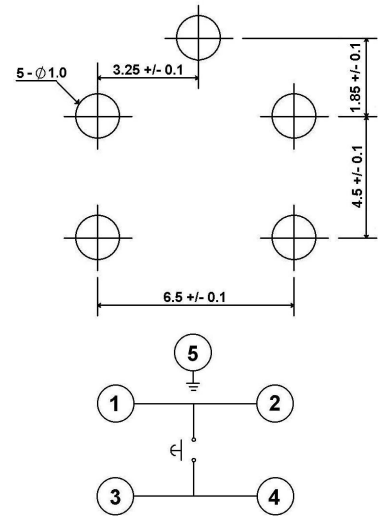


DIMENSIONS

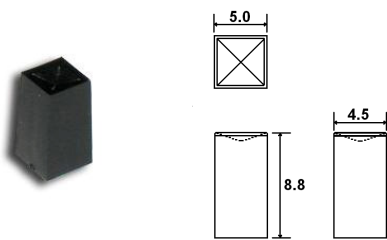


Part Number	"L" (mm)
CT1102PS2.4	2.4
CT1102PS2.8	2.8

SCHEMATIC & PC LAYOUT

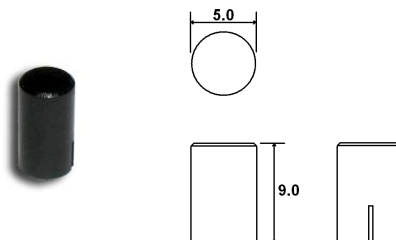


CAP OPTIONS ←FOR S2.8 ACTUATOR



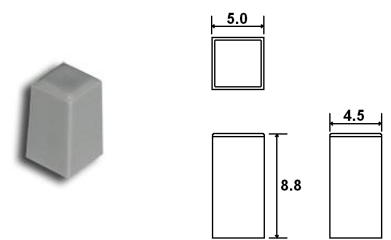
C01_

1 = White, 2 = Black, 3 = Red, 9 = Light Gray
 Contact Factory for other available colors



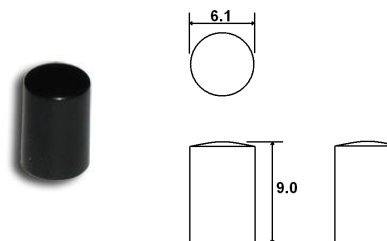
C02_

1 = White, 2 = Black, 3 = Red, 9 = Light Gray
 Contact Factory for other available colors



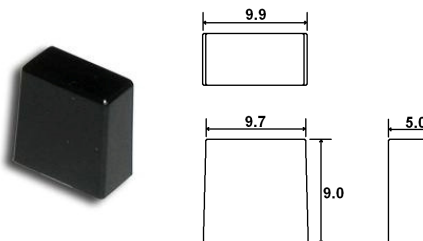
C03_

1 = White, 2 = Black, 3 = Red, 9 = Light Gray
 Contact Factory for other available colors



C04_

1 = White, 2 = Black, 3 = Red, 9 = Light Gray
 Contact Factory for other available colors



C05_

1 = White, 2 = Black, 3 = Red, 9 = Light Gray
 Contact Factory for other available colors